

RAMPS 1.4

<http://reprap.org/wiki/ramps>



This is open hardware: you can redistribute it and/or modify it under the terms of the GNU General Public License as published by the Free Software Foundation, either version 3 of the License, or (at your option) any later version.

This hardware design is distributed in the hope that it will be useful, but WITHOUT ANY WARRANTY; without even the implied warranty of MERCHANTABILITY or FITNESS FOR A PARTICULAR PURPOSE. See the GNU General Public License for more details.

You should have received a copy of the GNU General Public License along with this program. If not, see <<http://www.gnu.org/licenses/>>.

!!! Reversing input power, and/or inserting stepper drivers incorrectly will destroy electronics and cause fire hazard!!!

Test all electronics thoroughly before placing into service.

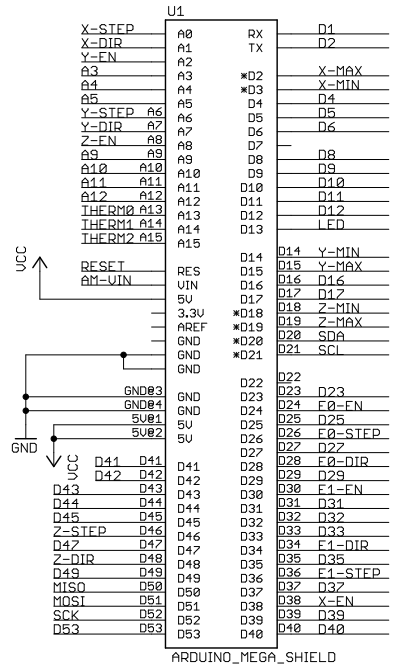
Do not leave power supplied to electronics unattended, or run machines unattended due to the risk of fire and malfunction.

This is NOT a toy and it contains small and sharp parts. Children can choke or suffocate by swallowing small objects. Keep all parts away from children and never leave printer/parts unattended.

Bill of Materials

| Qty | Part Name | Value | Package |
|-----|--------------------------|-------------------|--------------|
| 3 | C1,C5,C8 | 10uF | 153CLV-0405 |
| 1 | C2 | 100nF | C0805 |
| 6 | C3,C4,C6,C7,C9,C10 | 100uF | 153CLV-0605 |
| 2 | D1,D2 | 1N4004 | DO41-10 |
| 1 | F1 | MFR500 | MFR500 |
| 1 | F2 | MFR1100 | MFR1100 |
| 1 | LED1 | green | CHIP-LED0805 |
| 3 | LED2,LED3,LED4 | red | CHIP-LED0805 |
| 3 | Q1,Q2,Q3 | STP55NF06L | TO220BV |
| 5 | R1,R7,R11,R21,R22 | 4.7K (1%) | R0805 |
| 8 | R2,R3,R4,R5,R6,R8,R9,R10 | 100k | R0805 |
| 1 | R12 | 1K | R0805 |
| 3 | R23,R24,R26 | 1.8K | R0806 |
| 3 | R13,R14,R15 | 10r | R0805 |
| 5 | R16,R17,R18,R19,R20 | 10k | R0805 |
| 1 | S1 | B3F-3100 | B3F-31XX |
| 1 | U\$2 | 282837-6 | 282837-6 |
| 1 | X4 | MSTBA4 | MSTBA4 |
| 1 | | 0.1" 18x2 pin | |
| 8 | | 0.1" 2x3 pin | |
| 5 | | 0.1" 8x1 pin | |
| 2 | | 0.1" 6x1 pin | |
| 6 | | 0.1" 4x1 pin | |
| 2 | | 0.1" 24x1 female | |
| 4 | | 0.1" 8x1 female | |
| 15 | | 0.1" 2 pin jumper | |

MEGA Conn.



RAMPS 1.4 (RepRap Arduino Mega Pololu Shield)

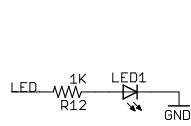
reprap.org/wiki/RAMPS1.4

Copyright 2011 Johnny Russell

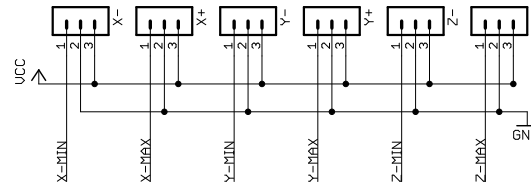
UltiMachine

GPL v3

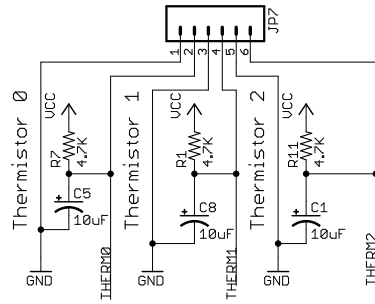
LED



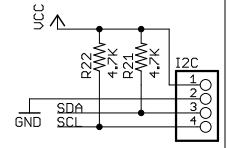
Endstops



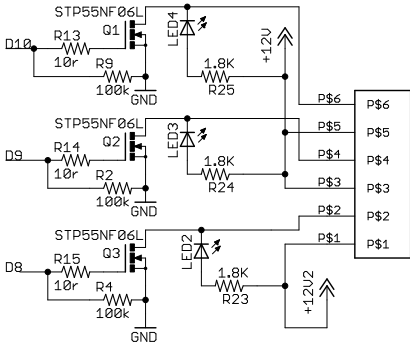
Thermistors



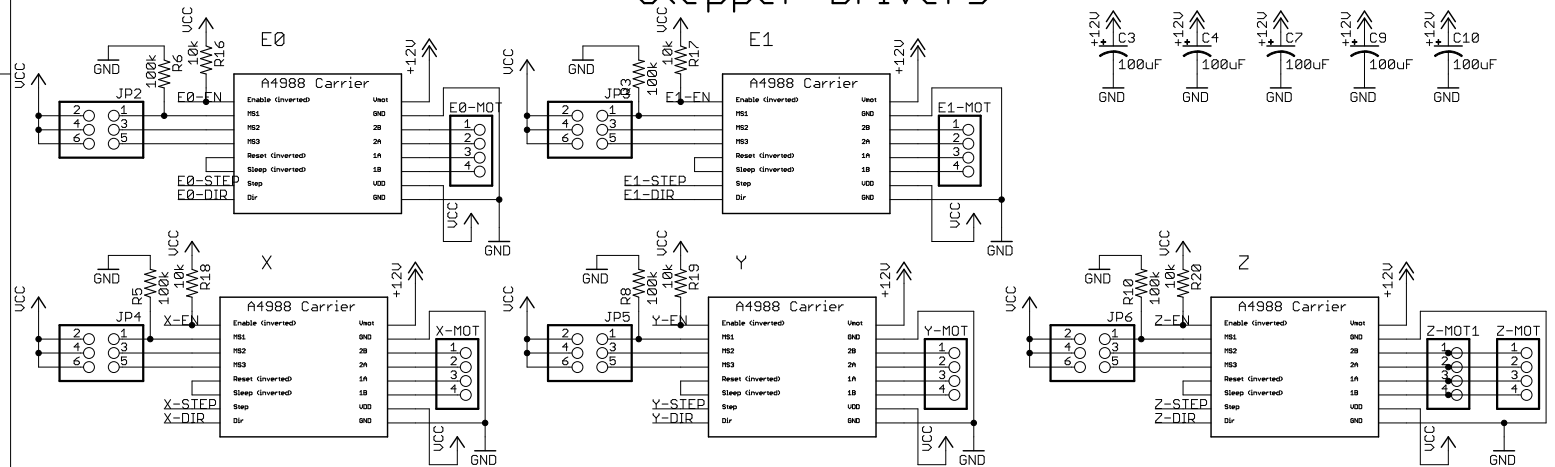
I2C



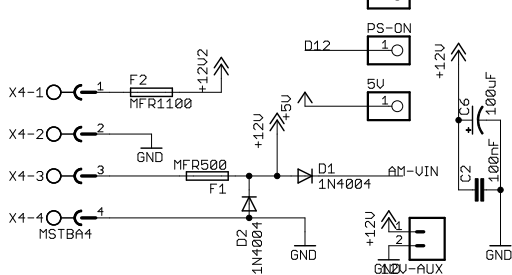
Heaters & Fans



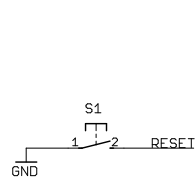
Stepper Drivers



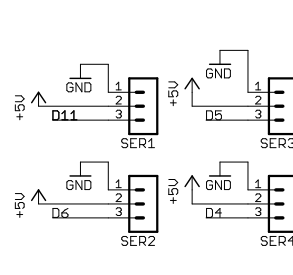
Power



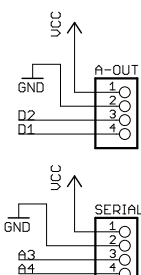
Reset



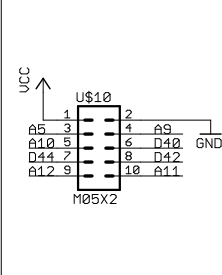
Servos



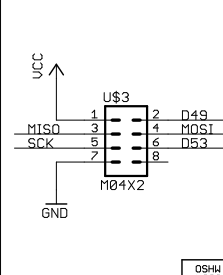
AUX-1



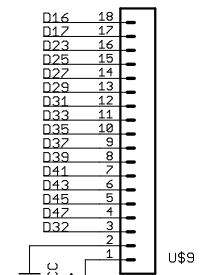
AUX-2



AUX-3



AUX-4



RAMPS 1.4 (RepRap Arduino MEGA Pololu Shield)

GPL v3

Reversing input power, and inserting stepper drivers incorrectly will destroy electronics.

